

Figure 8

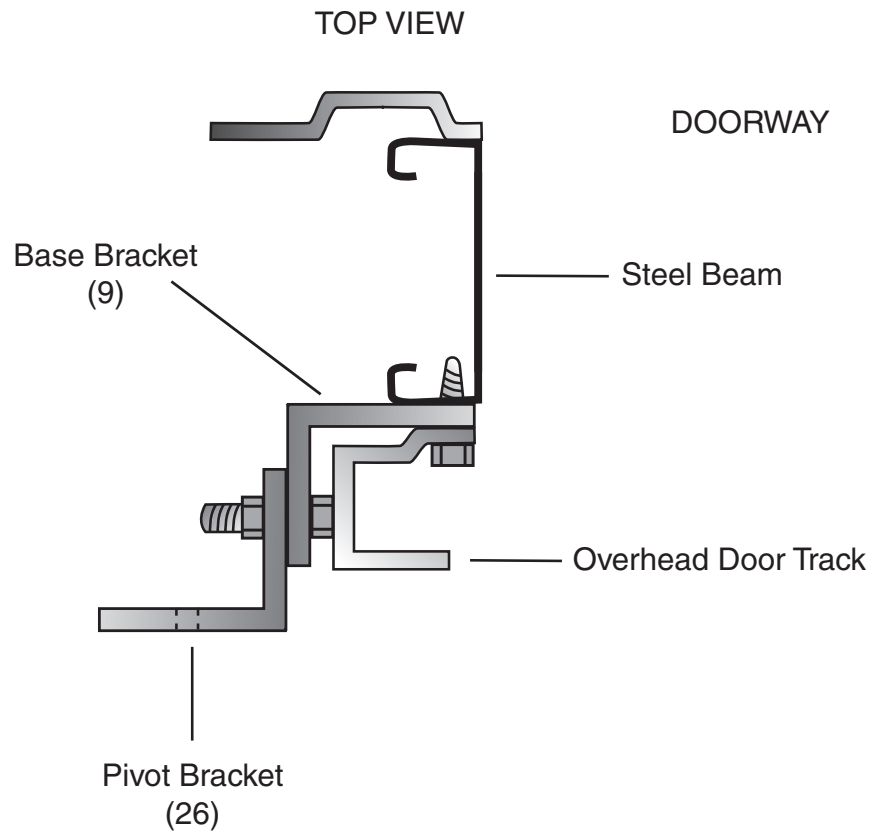
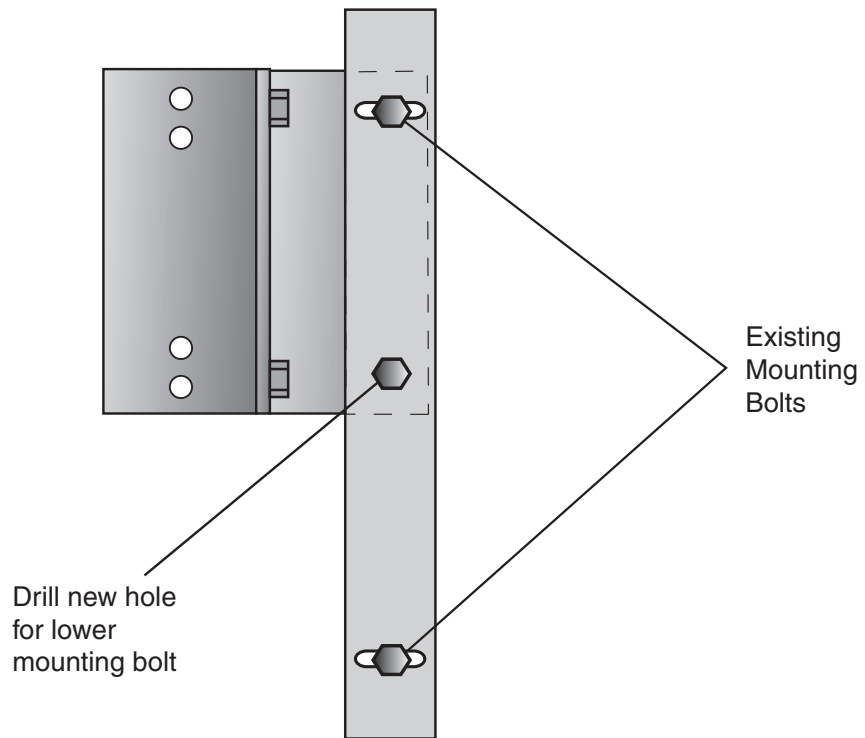


Figure 9



SOME PARTS OMITTED FOR CLARITY